



ESP
ACE
WELL
DONE

VETERINOV™
Wellness by Design

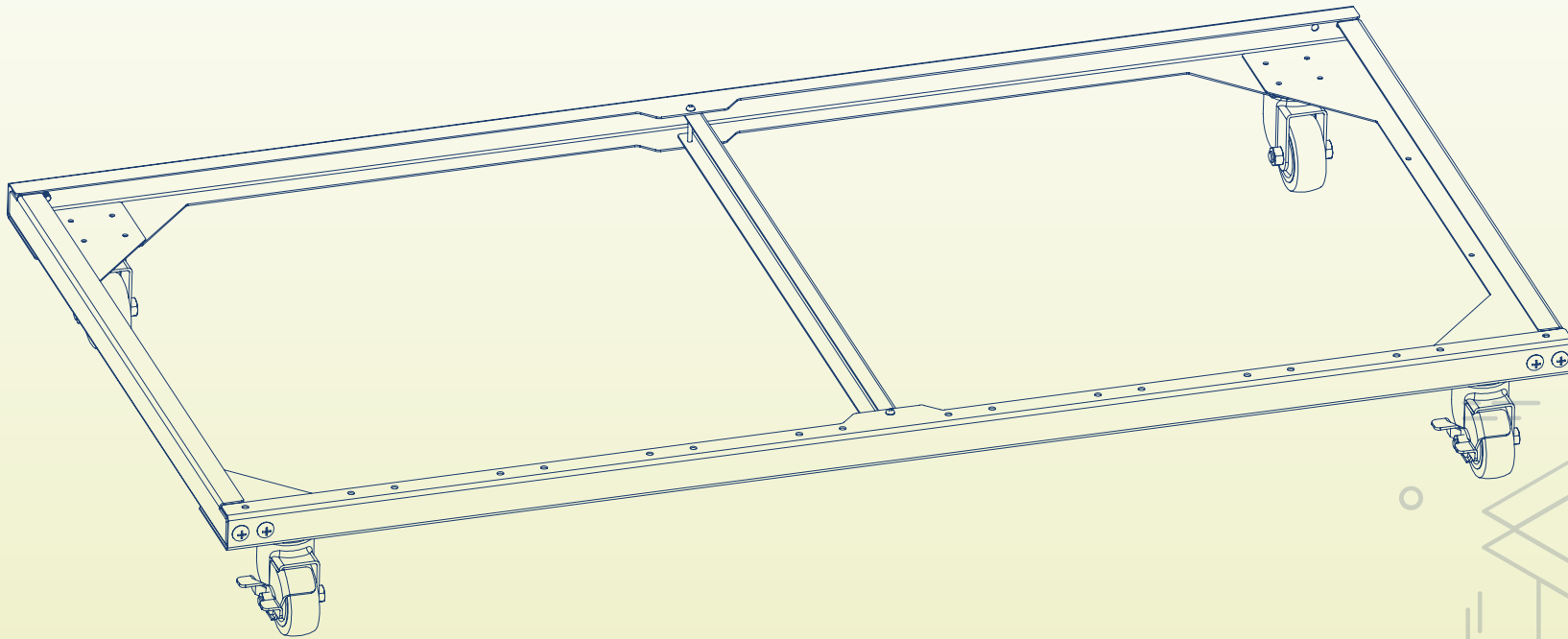
BASES

ASSEMBLY PLAN STEP BY STEP



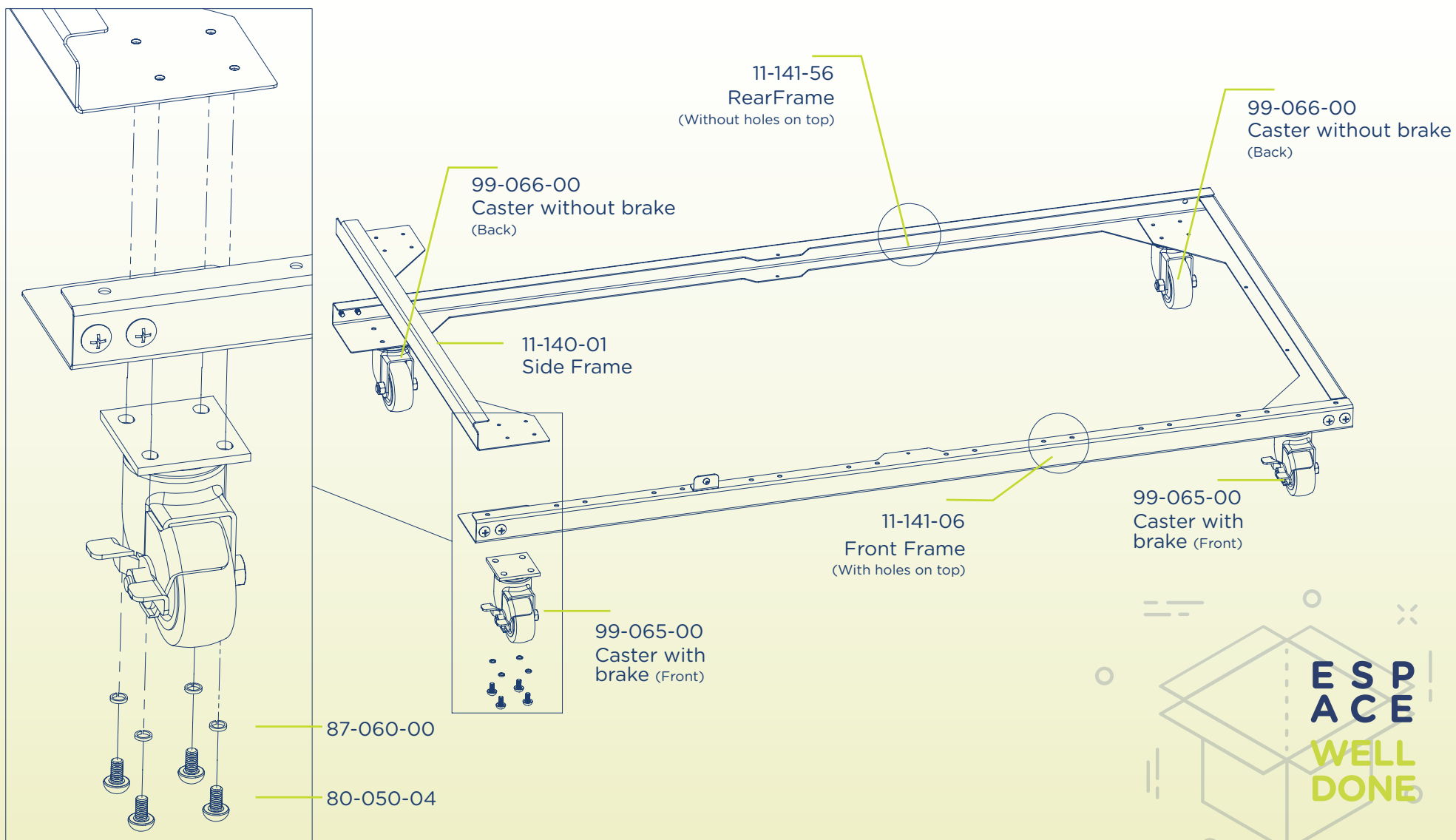
#	Code	QTY	Description
1	11-141-59	1	Rear frame 72"
2	11-141-09	1	Front frame 72"
3	11-140-01	2	Side frame
4	11-143-01	2	Junction Plate
5	11-142-01	6	Angle Fixation Bracket
6	99-065-00	2	Caster with brake
7	99-066-00	2	Caster without brake
8	80-090-03	8	Truss Head Cap Screw, 1/4"-20 x 3/8"

#	Code	QTY	Description
9	81-063-02	6	Button Head Cap Screw, #10-24 x 1/4"
10	80-010-04	6	Hex Stainless Bolt, 1/4"-20 x 1/2"
11	86-032-00	2	Stainless Steel Nylon LockNut, #8-32
12	11-144-01	1	Crossmember
13	81-042-16	2	Button Head Cap Screw, #8-32 x 1 3/4"
14	87-060-00	16	Lockwasher 1/4"
15	80-050-04	16	Button Head Cap Screw, 1/4"-20 x 1/2"



BASES

ASSEMBLY PLAN STEP BY STEP

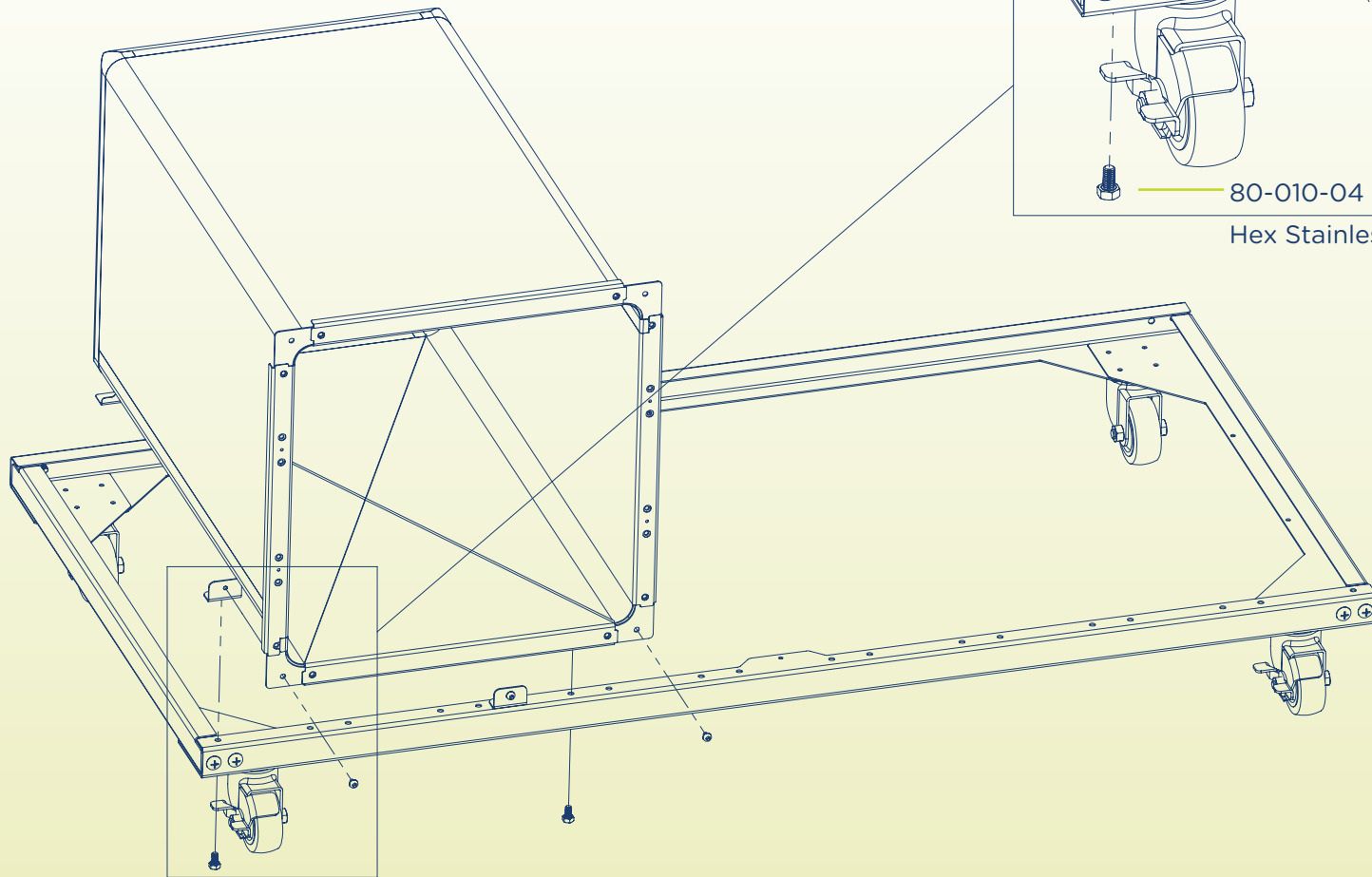
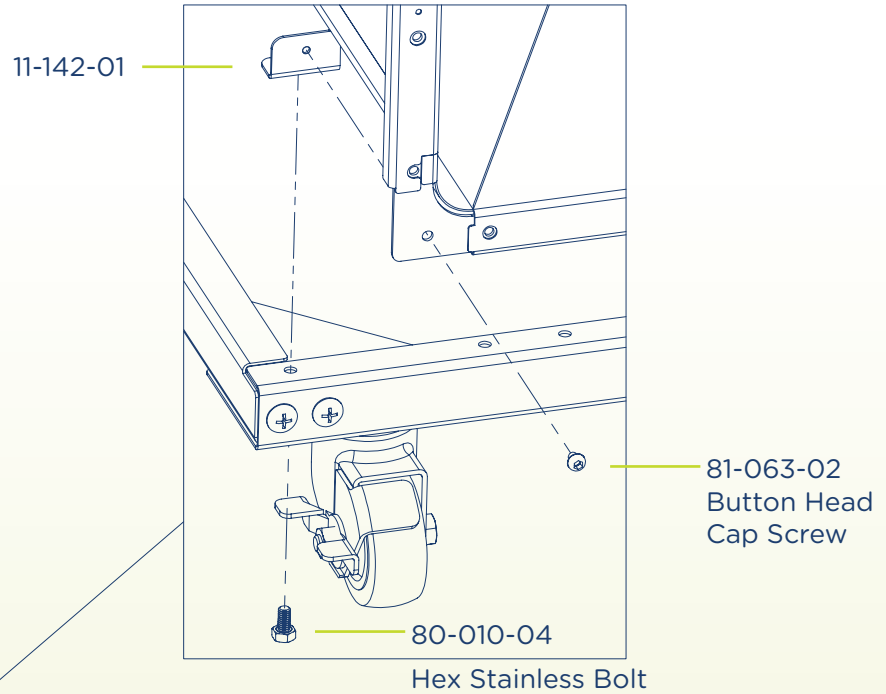


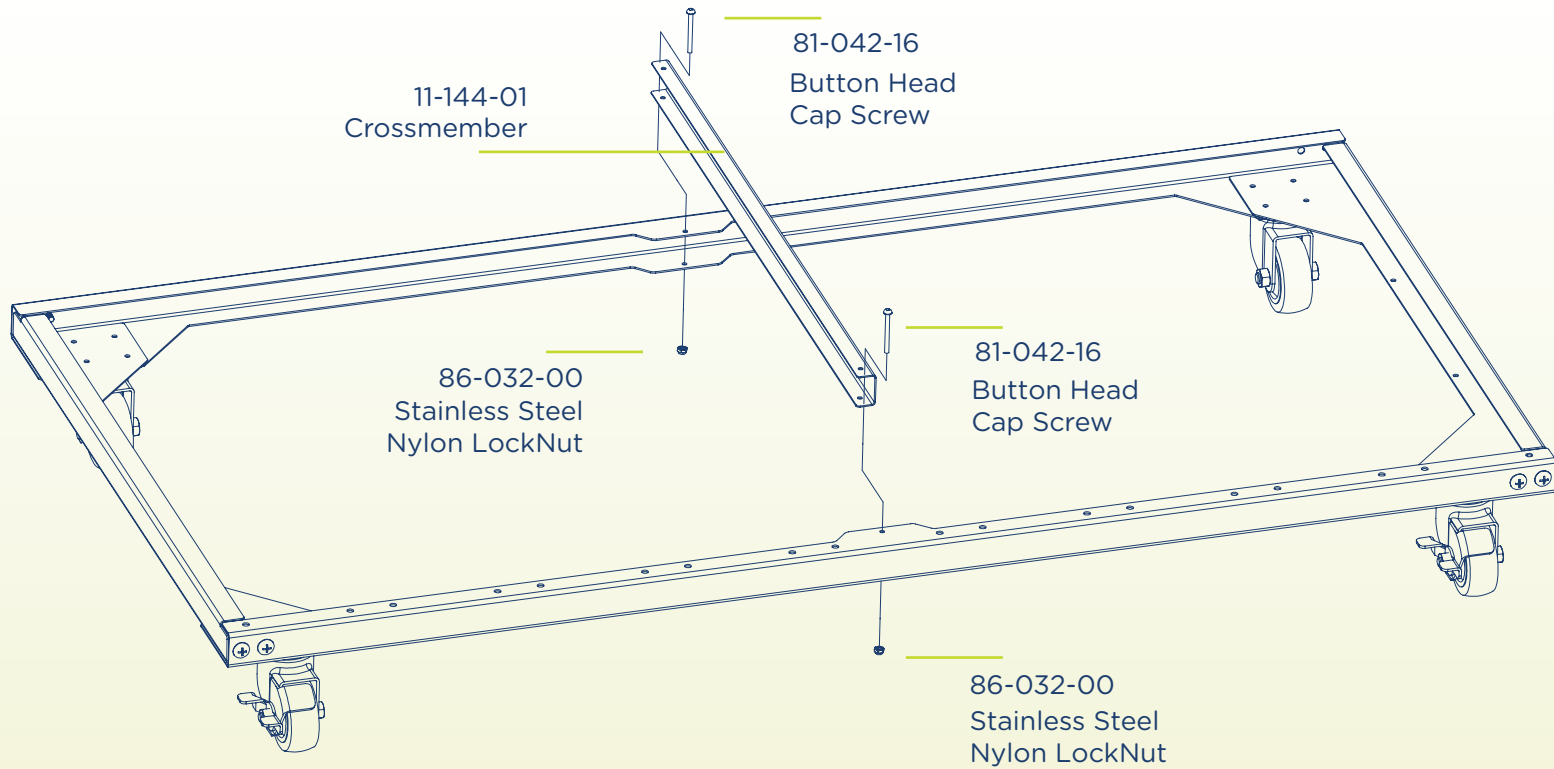
BASES

ASSEMBLY PLAN STEP BY STEP

+ NOTE

You will need:
2 Angle Fixation Baskets per cage
One in each corner of the cage.





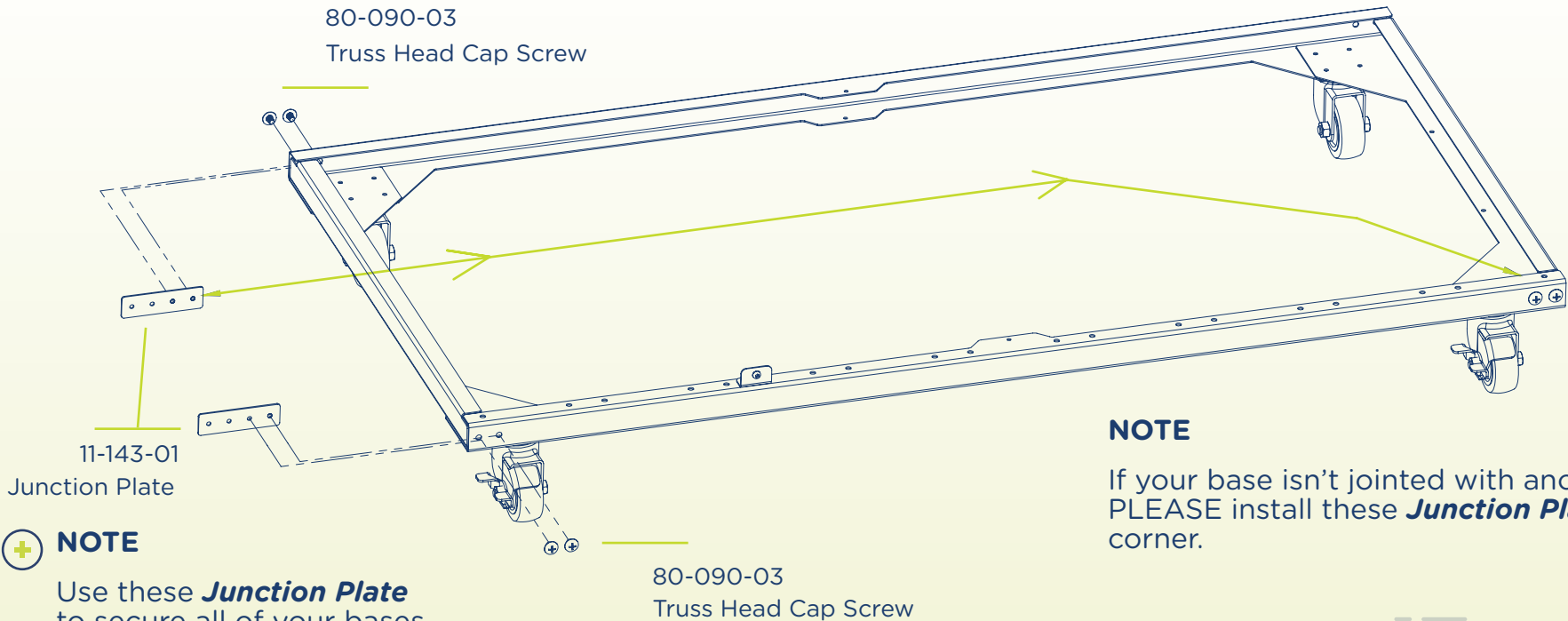
NOTE

SKIP this step if your base is 48" or shorter.



BASES

ASSEMBLY PLAN STEP BY STEP



+ **NOTE**
Use these **Junction Plate** to secure all of your bases together.

NOTE
If your base isn't jointed with another base, PLEASE install these **Junction Plate** at each corner.

