



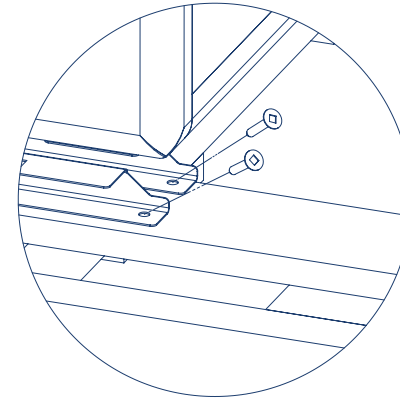
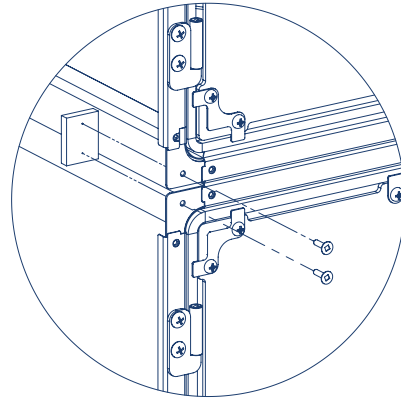
ESP
ACE
WELL
DONE

VETERINOVTM
Wellness by Design

CAGES
UNPACK & INSTALL

CAGES

UNPACK & INSTALL STEP BY STEP



+ STEP 1

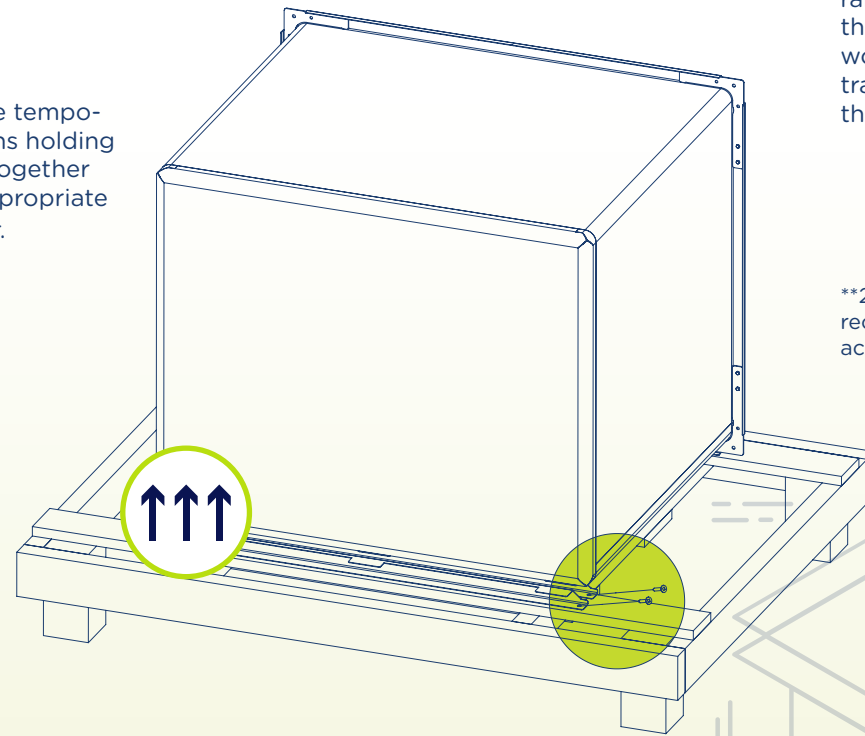
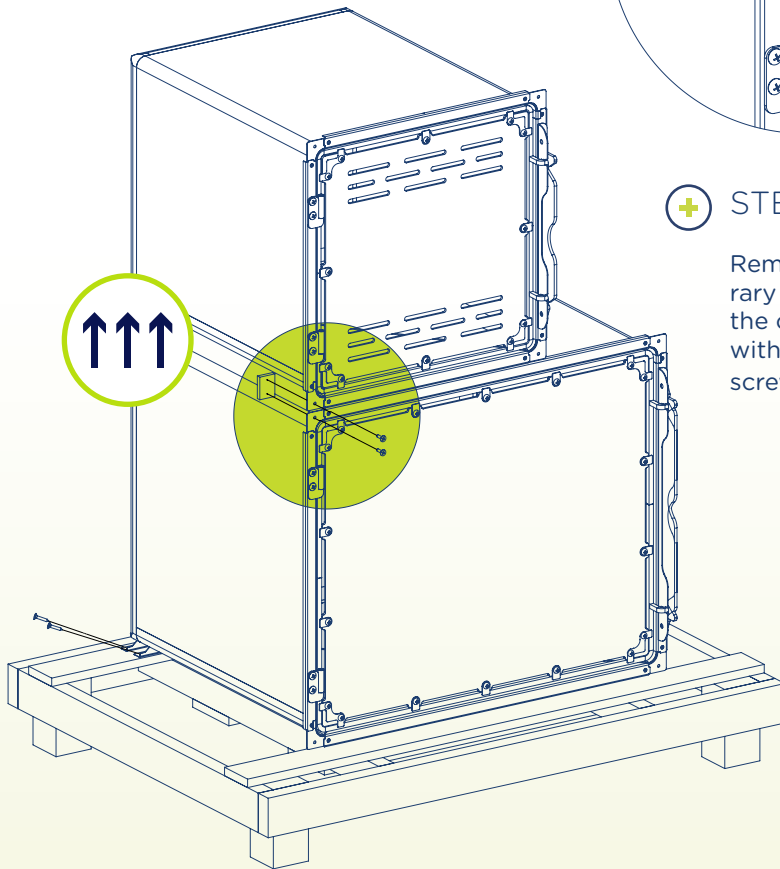
Remove the temporary fixations holding the cages together with the appropriate screwdriver.

+ STEP 2

Remove the temporary fixations holding the cages to the wood skid used for transport, then lift up the cages.



**2 persons are recommended to accomplish this step.

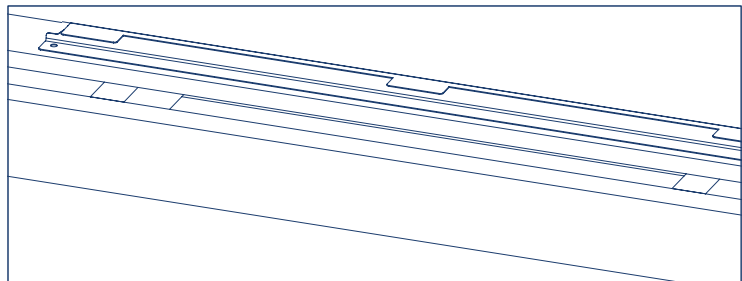


**ESP
ACE
WELL
DONE**

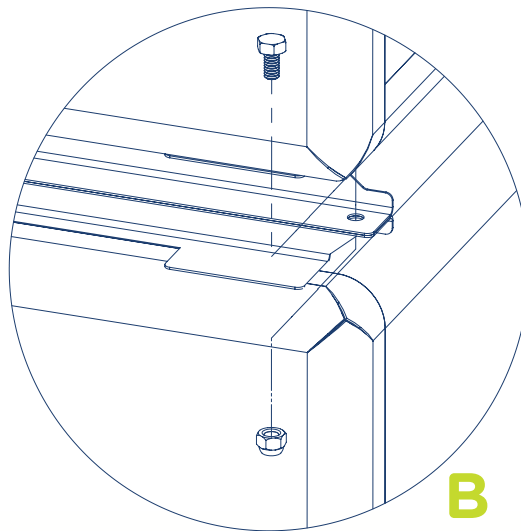
CAGES

UNPACK & INSTALL STEP BY STEP

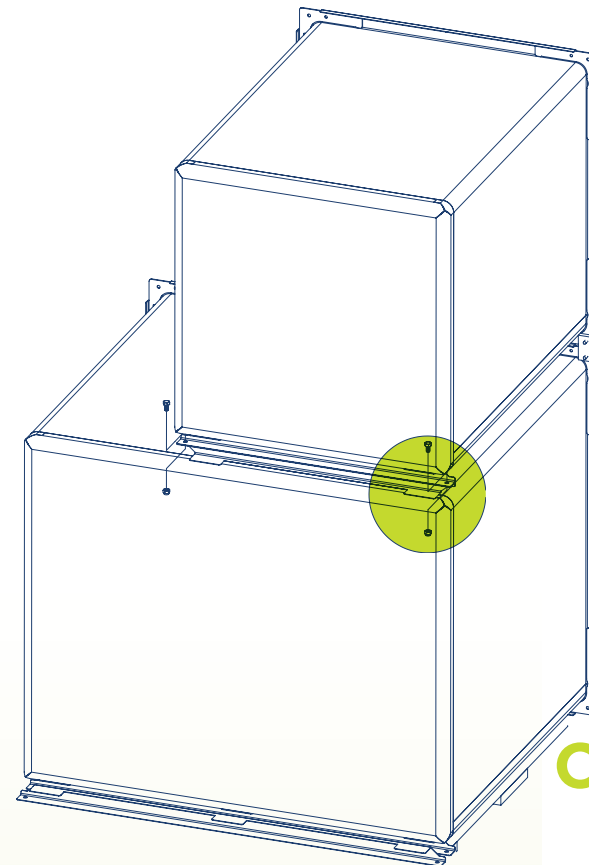
VETERINOV™
Wellness *by Design*



A



B



C

+ STEP 3

Drop off the cages onto :
- Your own base

OR

Use our Vétérinov Bases:

- Our caster base
- Our adjustable legs base

**Make sure your cages are level.
We recommend to always use a base when installing your cage module in order to prevent premature wear of the equipment.

+ STEP 4

A) Validate and remove the spare rear support previously installed on the skid.

Please note, the use of 2 rear supports is essential for all cages above the first level.

It's possible to:

B) Unscrew and remove one of the rear supports if you want to move a second level cage to the first level.

C) Add an extra rear support to the first level cage if you need to install the cage on the second level.

+ STEP 5

Place the cages according to the desired layout.

CHECK THE HARDWARE PLAN to know more about the hardware used.

* If you have more than one module, you will have to secure them through their base according to the Base Assembly Plan.

