

CAGES


SIMPLE DOOR


Our cages designed tons have many characteristics that delight cats and facilitate the work of professionals nothing is left to chance.



 @veterinov

 @veter_inov

 @equipement_veterinov

 @veterinov - équipements vétérinaires canadiens

 @Vétérinov

7-1001 Chemin Dion, Sherbrooke, Québec J1R 0R8 Canada



**HEALTH &
BI♥-SECURITY**



**PROFESSIONAL
COMFORT + SAFETY**



**ANIMAL
COMFORT + SAFETY**



**SPECS. & TECHNICAL
INFORMATION GUIDE**



SIMPLE DOOR CAGE

HEALTH & BI♥-SECURITY

OUR DIFFERENT DOOR OPTIONS



BEST BIOSECURITY

POLYCARBONATE DOOR

Our **polycarbonate door** is a translucent door made from a AR 2 polycarbonate. Our polycarbonate door withstands almost every abrasives situations such as daily washing while being resistant to tarnishing over time.

This type of door is often preferred by professionals for it's optimized biosecured barrier purpose. It prevents most airborne pathogens from being able to spread to its neighbours. Other liquids such as vomit, diarrhea, coughing and sneezing to name a few are also confined to the cage and not spread to other residents. The clarity and unity of the doors also make it much easier to clean and maintain compared to the wire mesh doors.

What does Polycarbonate AR 2 stands for?

AR stands for abrasive resistant, a hard-coated product is applied on a polycarbonate surface giving then the AR grade. Polycarbonate is a thermoplastic product. The term AR 2 to means that both side of panel and door are resistant to abrasions. Polycarbonate also has the benefit of being able to withstand impact while maintaining its clarity.



SIMPLE DOOR CAGE

HEALTH & BI♥-SECURITY

GOOD BIOSECURITY



WIRE MESH DOOR

The **wire mesh doors** allow for great ventilation of the enclosure for animals. In addition to offering the professional more proximity to the animal, it gives the animal a better interaction to the external environment. The wire mesh maximizes the animals senses, especially smell.

The wire mesh doors have been around for a long time and as much as they have their benefits, they lack biosecurity. It is more difficult to notice a dirty mesh door and also very time consuming and difficult to get a good clean.

CLEANING OPTIMIZATION



Many details in the conception will facilitate the animal professional in the task of disinfection and cleaning their equipments:

- › A radius 7/8 round corner;
- › Our fully removable door;
- › Our Polycarbonate Door;
- › 100% Stainless Steel Tank 20 ga;
- › Electropolished Stainless Steel door frame and stainless steel rods, reduce accumulation of dirt on them;
- › The floor is slightly recessed, liquids do not over flow on the front.



SIMPLE DOOR CAGE

HEALTH & BI♥-SECURITY

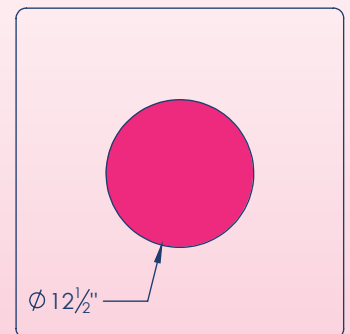
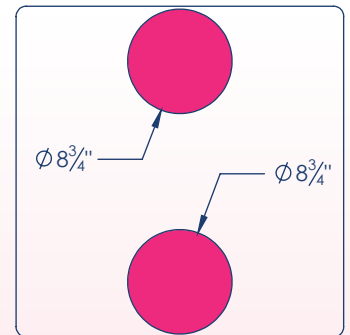
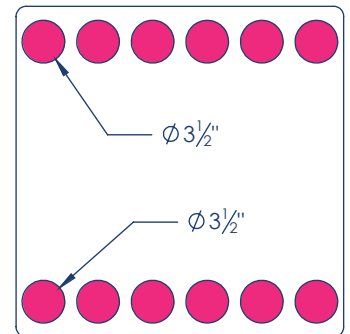
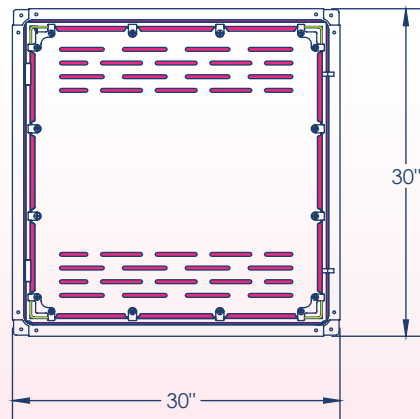
OPTIMIZED VENTILATION & Equivalent ventilation

Conclusions from our research team shows that the ventilation flow is equivalent in all three diagrams on the right. The orange circles represent the ventilation holes for each different cage doors. These were then compared to our ventilation design, which is shown at the bottom, and they were equivalent in terms of their ventilation ability.

Proportion wise, our ventilation slots allow plenty of air to come in and out. Our team have also considered the natural convection effect made by the animal body heat.

Biosecurity level is fully reached with the Polycarbonate AR 2 door.

Same Ratio
of ventilation





SIMPLE DOOR CAGE

PROFESSIONAL COMFORT + SAFETY



PREASSEMBLY CAGE

Our **stainless steel simple door cage** come preassembled with heavy duty doors, our silent latch system and stainless steel hardware.

An architectural plan is uniquely designed for each project so we can confirm your needs and which modules you will require. A QR code is placed on all documentations and the packaging making it easier for you to find any tools that you may require.

MODULAR

The **modular design** means that you can mix several pieces to create a unit specific to your needs. These can also be altered if you change your mind when you first buy them or afterwards. However, to re-configure your set-up afterwards you may need to contact us so we can provide you with a new plan and proper hardware to accommodate your new configuration.

ELECTROPOLISHING

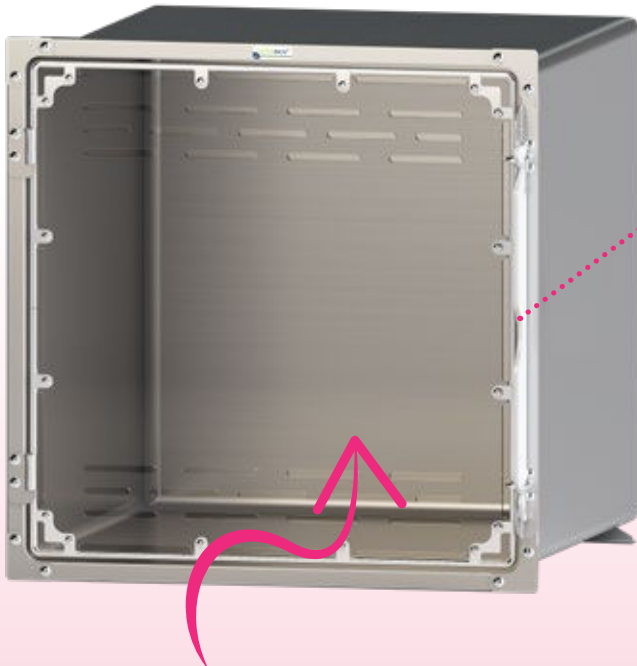
This is the process where a thin layer of metal is removed from the stainless steel making it smoother and therefore reducing the risk of dirt or residues adhering to the surface. It also improves the cleanability, makes it corrosive-resistant and gives it a nice shiny finish.

All of our wire mesh doors and door frames are electropolished.



SIMPLE DOOR CAGE

PROFESSIONAL COMFORT + SAFETY



SILENT LATCH

Our **resistant, polypropylene latch system** comes standard in all of our cages. It not only keeps the animal secured but it is easy for the handler to use even with full arms. The latch opens and closes silently and easily.

POLYCARBONATE DOOR

Our **clear polycarbonate door facilitates** maintenance while minimizing the risk of cross-contamination between residents. The doors are made from an AR (abrasive resistant) grade 2 of polycarbonate which will not tarnish over time.



SIMPLE DOOR CAGE

VETERINOV™
Wellness *by Design*

PROFESSIONAL COMFORT + SAFETY

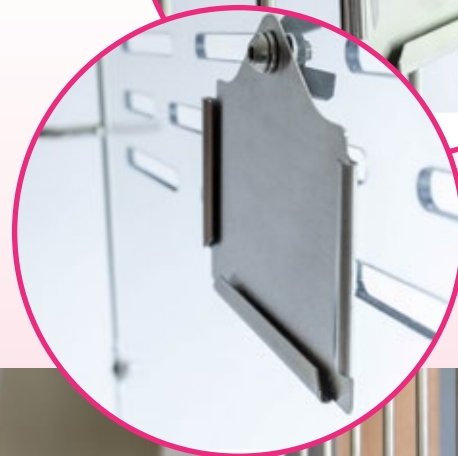


USEFUL ACCESSORIES

Our **Stainless Steel Card Holder** is a useful accessory for animal professionals. It allows you to have information on the resident animal at hand. The holder accommodates 3 inch x 5 inch cards.

Our **Stainless Steel Cover Panels** are designed to enhance the aesthetics and finish of Vétérinov cages. These panels allow the cage to have the appearance of a piece of furniture or a cabinet. Each Vétérinov cage has a space to accommodate a cover panel.

The **Veterinov Module Base** is made of 100% stainless steel, an easy-care material. It is available on brake wheels or adjustable legs. Both options allow professionals to adapt the module to space.





SIMPLE DOOR CAGE

ANIMAL COMFORT + SAFETY

COMFY ACCESSORIES

Our **Veterinov Bowl Holder** has been created to fit the needs of animals and professionals. Made of stainless steel, it holds a 400 ml bowl which is the perfect size for cats or small dogs.

The holders design can be attached to the two models of doors offered (grid or polycarbonate). In the polycarbonate doors it fits into the ventilation spaces and between the grates of the grid doors.

- Depending on the needs, it can be arranged at different heights in the door.
- For most cages it is also possible to add more than two bowl holders side by side.
- For maintenance, simply unscrew the butterfly screw to remove it from the door.
- Its robustness prevents from bending under the weight of small animals.





SIMPLE DOOR CAGE

ANIMAL COMFORT + SAFETY

NOISE REDUCTION

Hearing



Our **silent latch comes by standard**. All of our cages come with a resistant one piece polypropylene latch, a material that softens the closure and reduces noise.

ITS ENVIRONMENT

Sight



The animal **sees and feels its environment**. Our clear, scratch resistant polycarbonate doors allow proximity of the animal to its environment.

CROSS CONTAMINATION

Oral



Our **cages are optimized for biosecurity**. There is no risk that the animal will lick fluids from its neighbour (biofilm). Additionally, our polycarbonate door minimize the risk of cross-contamination between residents.

INJURIES & DISEASES LIMITATION

Touch



Our design allows **minimal space between the door and the structure** preventing the animal from putting its paws through and injuring itself.

Our door frame do not have any sharp edges that could injure the animal. The animal is fully secured.

DRY

Touch

An X-embossed floor helps concentrate fluids in the cage, which **ensures a dry area for the animal and avoid liquid overflow**.

DIMENSION

To meet animal welfare standards, several sizes are available depending on your animal. It is important to select a dimension that allows the animal to stand and sit normally. He should be able to turn around, stretch and lie down fully with his limbs fully extended.





SIMPLE DOOR CAGE

ANIMAL COMFORT + SAFETY

VENTILATION

Smell



The animal sees and feels its environment.

While the **Wire Mesh Doors** seems to provide better ventilation, our **Poly AR 2 Doors** also offer good ventilation of the cages.

Our ventilation is thoroughly thought out through by our design and conception team. You can refer to our **Health & Biosecurity** section p.6 which demonstrates the ratio between ventilation versus door surface.

Our Poly AR 2 door also gives a wellness sensation to the user and client by withdrawing the jail effect created by the wire mesh doors.

Convection Effect.

Biologically cat and dog body heat is around 38C, making it hotter than the ambient air around. Our ventilation slots system allows natural (up and down) air flow around the animal helping them stay comfortable.

Ventilation Slots

Polycarbonate AR 2 Door





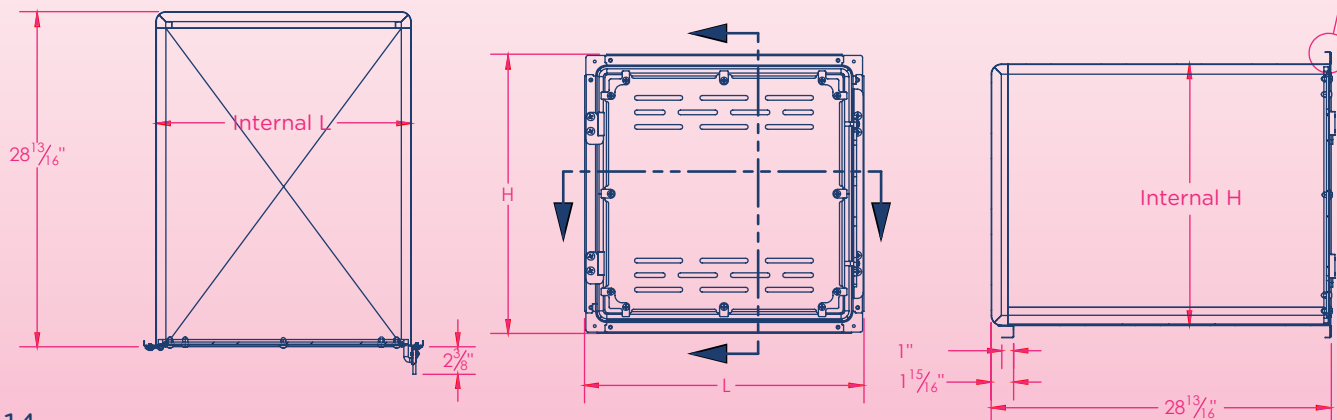
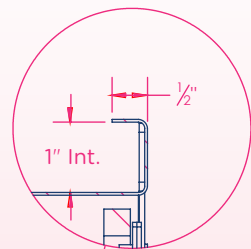
SIMPLE DOOR CAGE

SPECS. & TECHNICAL INFORMATION GUIDE

SIZES

Simple Door

NAME PRODUCT	EXTERNAL WIDTH (L)	EXTERNAL HEIGHT H	INTERNAL WIDTH	INTERNAL HEIGHT
18"W x 24"H	18"	18"	16 7/8"	16"7/8
24"W x 18"H	24"	18"	21 7/8"	16"7/8
24"W x 24"H	24"	24"	21 7/8"	21"7/8
24"W x 24"H	24"	30"	21 7/8"	27"7/8
30"W x 24"H	30"	24"	27 7/8"	21 7/8"
30"W x 30"H	30"	30"	27 7/8"	27 7/8"
30"W x 36"H	30"	36"	27 7/8"	34 7/8"
36"W x 30"H	36"	30"	34 7/8"	27 7/8"
36"W x 36"H	36"	36"	34 7/8"	34 7/8"
48"W x 30"H	48"	30"	46 7/8"	27 7/8"
48"W x 36"H	48"	36"	46 7/8"	34 7/8"





SIMPLE DOOR CAGE

MORE...Veterinary Cages

CAT-CONDOS

The **Stainless Steel Cat-Condo** gives the animal a greater air of life, by separating the litter from the living space.



DOUBLE DOORS CAGES

The **Double Door Stainless Steel Cage** is very practical for large animals. The design without a center post makes it easier to insert a sleeping or reduced-mobility animal.

ADVANTAGES

- › Our radius 7/8 round corner;
- › Made of 20 gauge sheet metal;
- › Stackable to create the module;
- › Polypropylene latches to softens the closure and reduces noise;
- › Hinges are made of stainless steel to guarantee strength;
- › Reduced space between the door and the enclosure to prevent the animal from putting its paws through and injuring itself.
- › The separation of the cat litter from the living space giving cats an enhanced comfort.
- › Electropolished Stainless Steel door frame and Stainless Steel rods, reduce accumulation of dirt on them;

DISCOVER MORE
ABOUT OUR PRODUCTS.



KENNEL RUNS

Veterinary Kennel for dogs that are resistant, aesthetic, functional and well thought out. Our dog runs specially developed to adapt to the needs of shelters and veterinary clinics are designed and built taking into account various criteria that are important to us.



**EXAM WALL-MOUNTED
FOLDING TABLE**

Exam Veterinary Tables that are aesthetics. Their design also prevents dust accumulation. Functional, silent and easy to maneuver with onlay one hand, they maximize the floor space of your examination room.

